

MicroGreen™ APC laser displayed on a dime

## MicroGreen™ APC Series

Rugged miniature DPSS laser with integrated automatic power control functionality packaged in a standard semiconductor can for integration flexibility and reliability.

### Features:

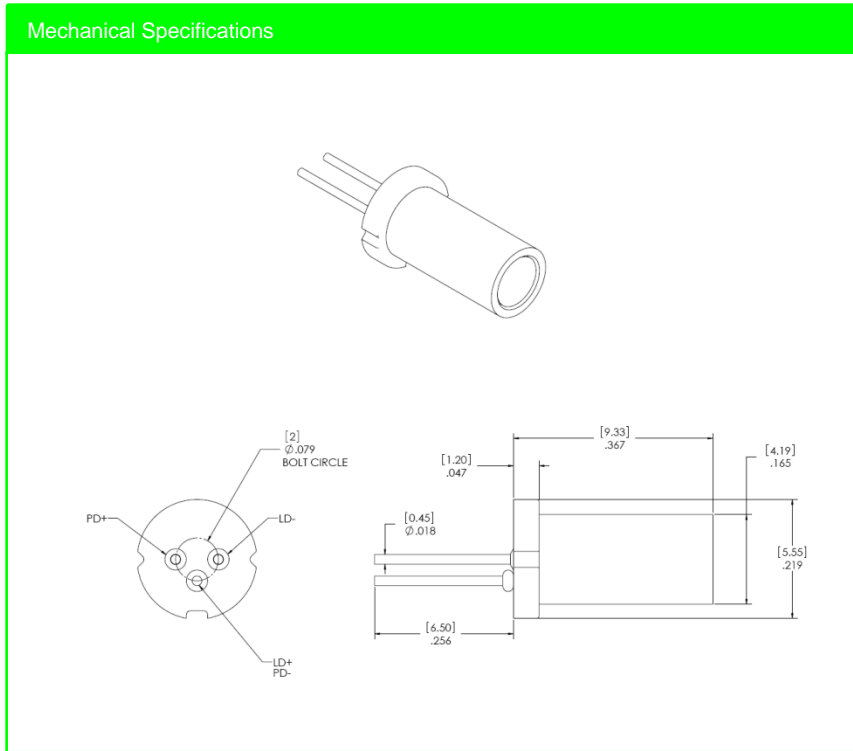
- Convenient standard TO-56 package
- Smallest commercially available green DPSS laser with APC functionality
- Low power consumption
- Wide temperature range

| Optical Specifications  | MicroGreen™ APC-15 / 4 | MicroGreen™ APC-15 / 8 | MicroGreen™ APC-50 / 30 |
|---|------------------------|------------------------|-------------------------|
| Operating Mode  | CW                     |                        |                         |
| Output Power (mW)   | 4                      | 8                      | 30                      |
| Output Center Wavelength (nm)                                 | 532                    |                        |                         |
| Minimum Operating Temperature Range ( C)                      | 15-35                  | 17-33                  | 17-33                   |
| Typical Operating Temperature Span ( C)                       | 30                     | 25                     | 25                      |
| Output Power Stability Over Temperature Range (%)             | 20                     |                        | 25                      |
| Polarization Ratio (typ.)                                     | 4:1                    |                        |                         |
| Full Angle (1/e <sup>2</sup> ) Divergence (mrad, typ.)        | 7.5                    |                        |                         |
| Beam Diameter (1/e <sup>2</sup> ) at Output Window (µm, typ.) | 100                    |                        |                         |
| Mode Quality (M <sup>2</sup> , typ.)                          | 1.1                    |                        |                         |
| Residual 1064nm Leakage (%)                                   | < 0.5                  |                        |                         |
| PD Photo Current (µA)   | 30 – 90                | 75 – 150               | 350 – 1,000             |

| Electrical Input Requirements |        |        |
|-------------------------------|--------|--------|
| Voltage (V)                   | < 2.2  | < 2.2  |
| Current (mA)                  | < 290  | < 600  |
| Electrical Power (W)          | < 0.64 | < 1.32 |

| Other Specifications                       |               |
|--|---------------|
| CDRH Class                                 | IIIB          |
| Warm-Up Time (minutes)                     | < 2           |
| Storage                                    | - 40 to + 80  |
| Operating Temperature ( C, non-condensing) | ~+ 10 to + 50 |
| Warranty (year)                            | 1             |

## Mechanical Specifications



## Notes

Snake Creek Lasers offers a limited warranty.

The MicroGreen™ APC Laser is an electronic device, and, as such, subject to damages due to electro-static discharge, overpowering, and transients.

Thermal management of the MicroGreen™ APC Laser must be included in the OEM design. Failures due to inadequate thermal management will void the warranty.

Please refer to Snake Creek Lasers' Warranty Statement / Return Policy for details. For assistance in any integration issues, please contact our experienced Applications Team at [info@snakecreeklasers.com](mailto:info@snakecreeklasers.com)

U.S. and international patents pending.

Class IIIB <500 mW



This product is sold as an OEM laser product and does not fully comply with 21 CFR 1020 and IEC 60825-1 : 1993 as applicable.



61 Railroad Ave  
Hallstead, PA 18822  
Telephone: 570-879-4992  
Fax: 570-879-0912  
[www.snakecreeklasers.com](http://www.snakecreeklasers.com)