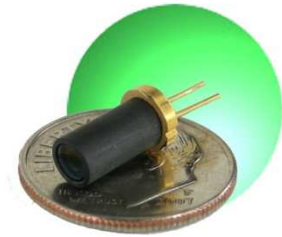


## MicroGreen™ APC Series

Rugged miniature DPSS laser with integrated automatic power control functionality packaged in a standard semiconductor can for integration flexibility and reliability.



MicroGreen™ APC laser displayed on a dime

### Features:

- Convenient standard TO-56 package
- Smallest commercially available green DPSS laser with APC functionality
- Low power consumption
- Wide temperature range

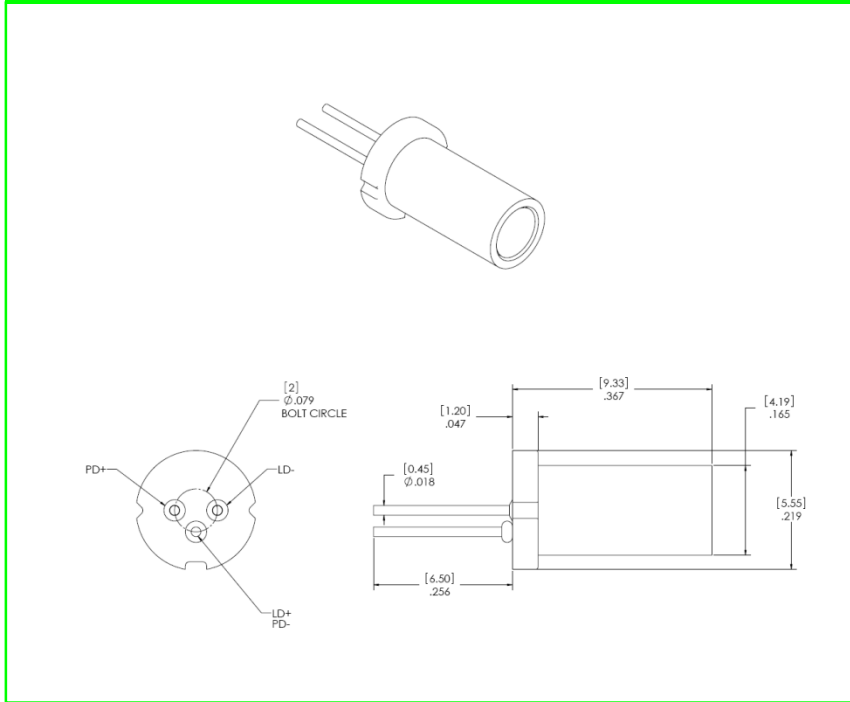
Optical Specifications	MicroGreen™ APC-15 / 4	MicroGreen™ APC-15 / 8	MicroGreen™ APC-50 / 30
Operating Mode	CW		
Output Power (mW)	4	8	30
Output Center Wavelength (nm)	532		
Minimum Operating Temperature Range (°C)	15-35	17-33	17-33
Typical Operating Temperature Span (°C)	30	25	25
Output Power Stability Over Temperature Range (%)	±20		±25
Polarization Ratio (typ.)	4:1		
Full Angle (1/e <sup>2</sup> ) Divergence (mrad, typ.)	7.5		
Beam Diameter (1/e <sup>2</sup> ) at Output Window (µm, typ.)	100		
Mode Quality (M <sup>2</sup> , typ.)	1.1		
Residual 1064nm Leakage (%)	< 0.5		
PD Photo Current (µA.)	30 – 90	75 – 150	350 – 1,000

Electrical Input Requirements		
Voltage (V)	< 2.2	< 2.2
Current (mA)	< 290	< 600
Electrical Power (W)	< 0.64	< 1.32

Other Specifications	
CDRH Class	IIIB
Warm-Up Time (minutes)	< 2
Storage	- 40° to + 80°
Operating Temperature (°C, non-condensing)	~+ 10° to + 50°
Warranty (year)	1

Specifications subject to change without notice.

## Mechanical Specifications



## Notes

Snake Creek Lasers offers a limited warranty.

The MicroGreen™ APC Laser is an electronic device, and, as such, subject to damages due to electro-static discharge, overpowering, and transients.

Thermal management of the MicroGreen™ APC Laser must be included in the OEM design. Failures due to inadequate thermal management will void the warranty.

Please refer to Snake Creek Lasers' Warranty Statement / Return Policy for details. For assistance in any integration issues, please contact our experienced Applications Team at [sales@snakecreeklasers.com](mailto:sales@snakecreeklasers.com)

U.S. and international patents pending.

Class IIIB <500 mW



This product is sold as an OEM laser product and does not fully comply with 21 CFR 1020 and IEC 60825-1 : 1993 as applicable.



RR2 Box 2753  
61 Railroad Ave  
Hallstead, PA 18822  
Telephone: 570-879-4992  
Fax: 570-879-0912  
[www.snakecreeklasers.com](http://www.snakecreeklasers.com)