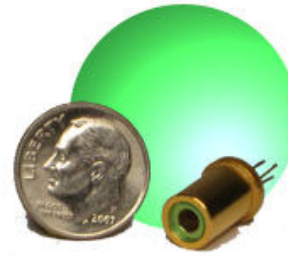


MiniGreen™ Series with High Polarization

Rugged miniature DPSS laser packaged in a standard semiconductor can for integration flexibility, reliability, and high-tolerance to G forces with polarizer integrated inside a protective output window



MiniGreen™ laser displayed with a dime

Features:

- Can size Ø9.0 mm
- Alignment-free optical design
- High electro-optic efficiency
- High polarization ratio and fixed polarization angle

Optical Specifications ¹	MiniGreen™ 100P
Operating Mode	CW
Output Power (mW)	> 100
Output Center Wavelength (nm)	532
Polarization Ratio	>100:1
Full Angle (1/e ²) Divergence (mrad, typical)	11
Beam Diameter (1/e ²) at Output Window (µm, typical)	120
Mode Quality (M2, typical)	1.6
Residual 1064nm Leakage (%)	< 0.5
Noise (% RMS)	< 2

Electrical Input Requirements	
Voltage (V)	< 2.2
Current (A)	< 1.3
Electrical Power (W)	< 2.9

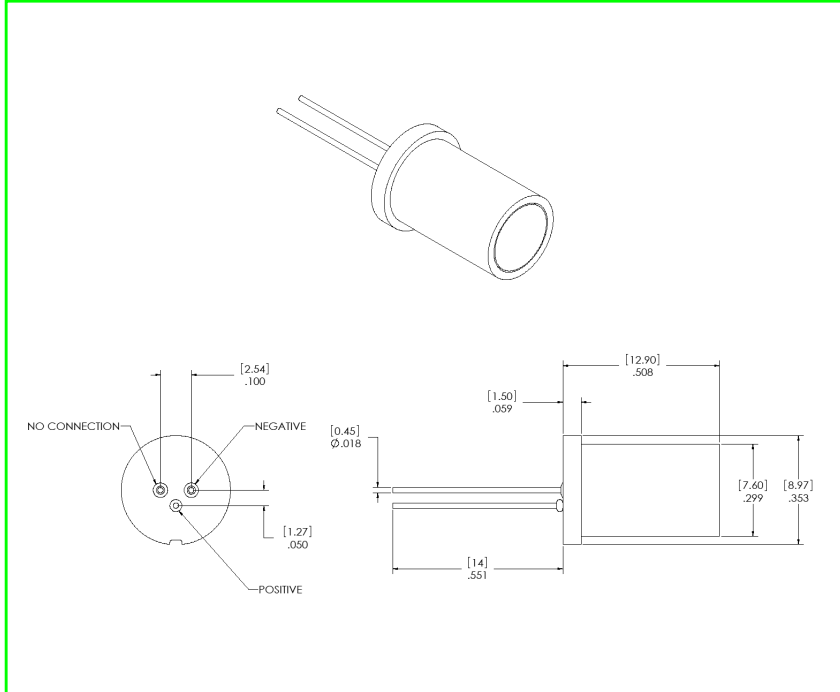
Other Specifications	
CDRH Class	IIIB
Warm-up Time ² (minutes)	< 5
Storage (°C)	- 40 to + 80
Warranty (year)	1

Specifications subject to change without notice. Other notes:

1. All specifications measured at factory-determined laser drive current and temperature settings, chosen within the 20 °C to 30° C range using a temperature-controlled heat sink. Higher temperature settings available with reduced output power specifications.

2. Depends on thermal management

Mechanical Specifications



Notes

Snake Creek Lasers offers a limited warranty.

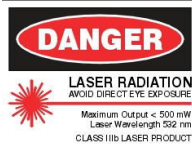
The MiniGreen™ Laser is an electronic device, and, as such, subject to damages due to electro-static discharge, overpowering, and transients.

Thermal management of the MiniGreen™ Laser must be included in the OEM design. Failures due to inadequate thermal management will void the warranty.

Please refer to Snake Creek Lasers' Warranty Statement / Return Policy for details. For assistance in any integration issues, please contact our experienced Applications Team at info@snakecreeklasers.com

U.S. and international patents pending.

Class IIIB <500 mW



This product is sold as an OEM laser product and does not fully comply with 21 CFR 1020 and IEC 60825-1 : 1993 as applicable.



61 Railroad Ave.
Hallstead, PA 18822
Telephone: 570-879-4992
Fax: 570-879-0912
www.snakecreeklasers.com